

# Compressed Air Breathing Apparatus Basic Apparatus AirMaXX and AirMaXX eXXtreme

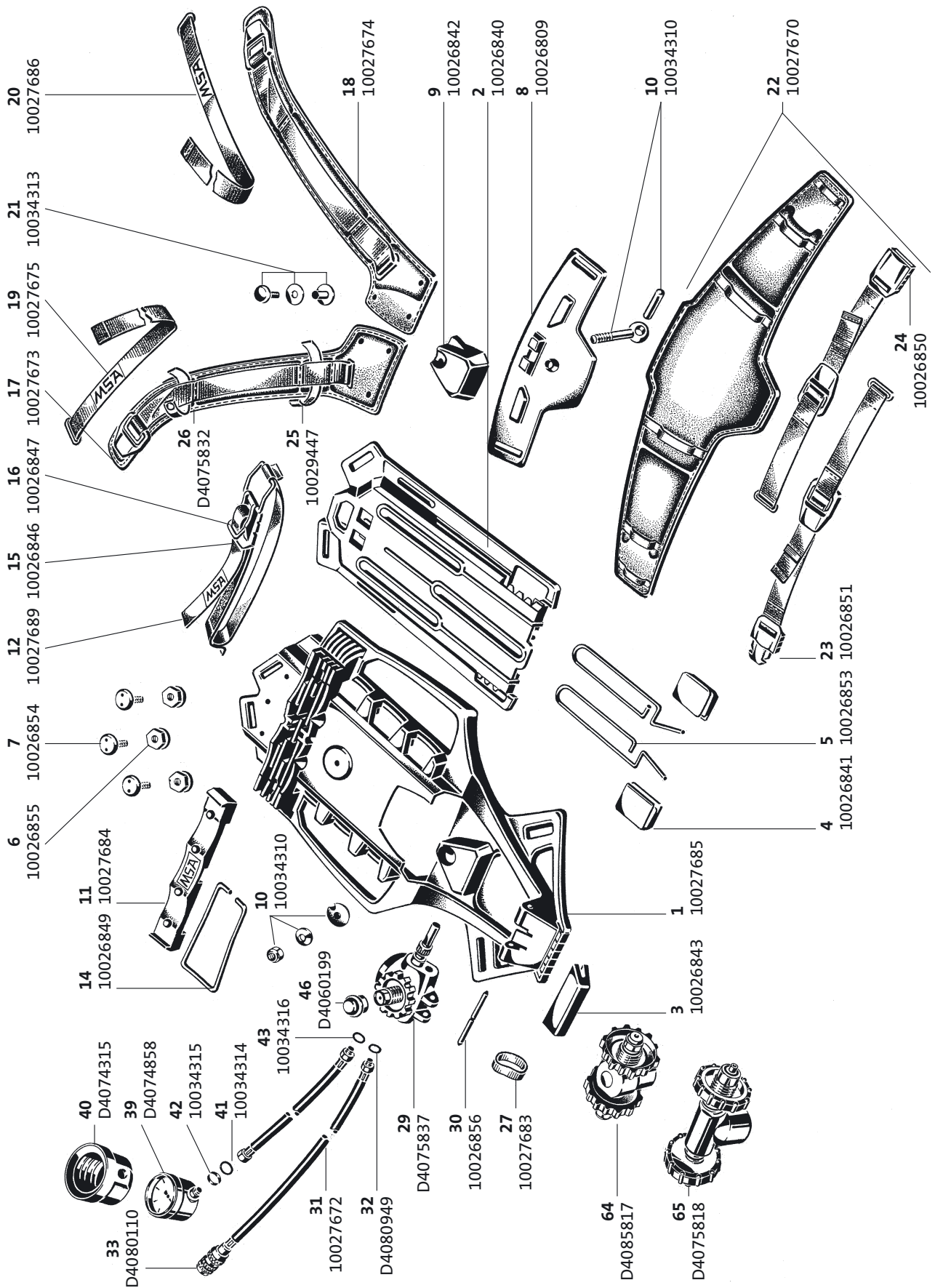
## [ Order Catalog/Components and Spare Parts ]

No.	Description	Part No.
<b>Carrying Plate</b>		
1	Plate with bumper	10027685
2	Slider	10026840
3	Bumper	10026843
4	Clip, AirMaXX	10026841
4a	Clip, AirMaXX eXXtreme (not shown)	10040384
5	Clip-Spring	10026853
6	Mushroom nut	10026855
7	Mushroom bolt	10026854
8	Hip pad plate	10026809
9	Hip belt bearing	10026842
10	Fixing for hip belt bearing (consisting of: eyebolt, parallel pin, nut, ball washer, washer, etc.)	10034310
<b>Cylinder Holder</b>		
11	Cylinder pad	10027684
12	Cylinder belt, sewed	10027689
13	Loop (for cylinder belt) (not shown) AirMaXX	D4075828
13a	Loop (for cylinder belt AirMaXX eXXtreme)(not shown)	10040640
14	Cylinder bracket	10026849
15	Cylinder buckle, AirMaXX	10026846
15a	Cylinder buckle, AirMaXX eXXtreme (not shown)	10040385
16	Buckle slider, AirMaXX (green)	10026847
16a	Buckle slider, AirmaXX eXXtreme (black) (not shown)	10041010
	Cylinder belt, complete, AirMaXX (Pos. 12, 15 and 16)	10027671
	Cylinder belt, complete, AirMaXX eXXtreme (Pos. 12, 15a and 16a)	10040411
<b>Harness</b>		
17	Shoulder strap, left, compl., AirMaXX	10027673
17a	Shoulder strap left, compl., AirMaXX eXXtreme (not shown)	10040464
18	Shoulder strap, right, compl., AirMaXX	10027674
18a	Shoulder strap, right, compl., AirMaXX eXXtreme (not shown)	10040465
19	Pull strap, left, compl., AirMaXX	10027675
19a	Pull strap, left, compl., AirMaXX eXXtreme (not shown)	10040466
20	Pull strap, right, compl., AirMaXX	10027686
20a	Pull strap, right, compl., AirMaXX eXXtreme (not shown)	10040467
21	Buttons for shoulder straps /(pack of 10)	10034313
22	Hip belt compl., AirMaXX	10027670
22a	Hip belt, compl., AirMaXX eXXtreme (not shown)	10040459
23	Buckle, male, AirMaXX	10026851
23a	Buckle, male, AirMaXX eXXtreme (not shown)	10040387
24	Buckle, female, AirMaXX	10026850
24a	Buckle, female, AirMaXX eXXtreme (not shown)	10040386
25	Line holder (velcro fastener)	10029447
26	Line holder (snap fastener)	D4075832
27	Loop compl., AirMaXX	10027683
27a	Loop, compl., AirMaXX eXXtreme (not shown)	10040641
28	Chest strap, assy (not shown)	D4075963

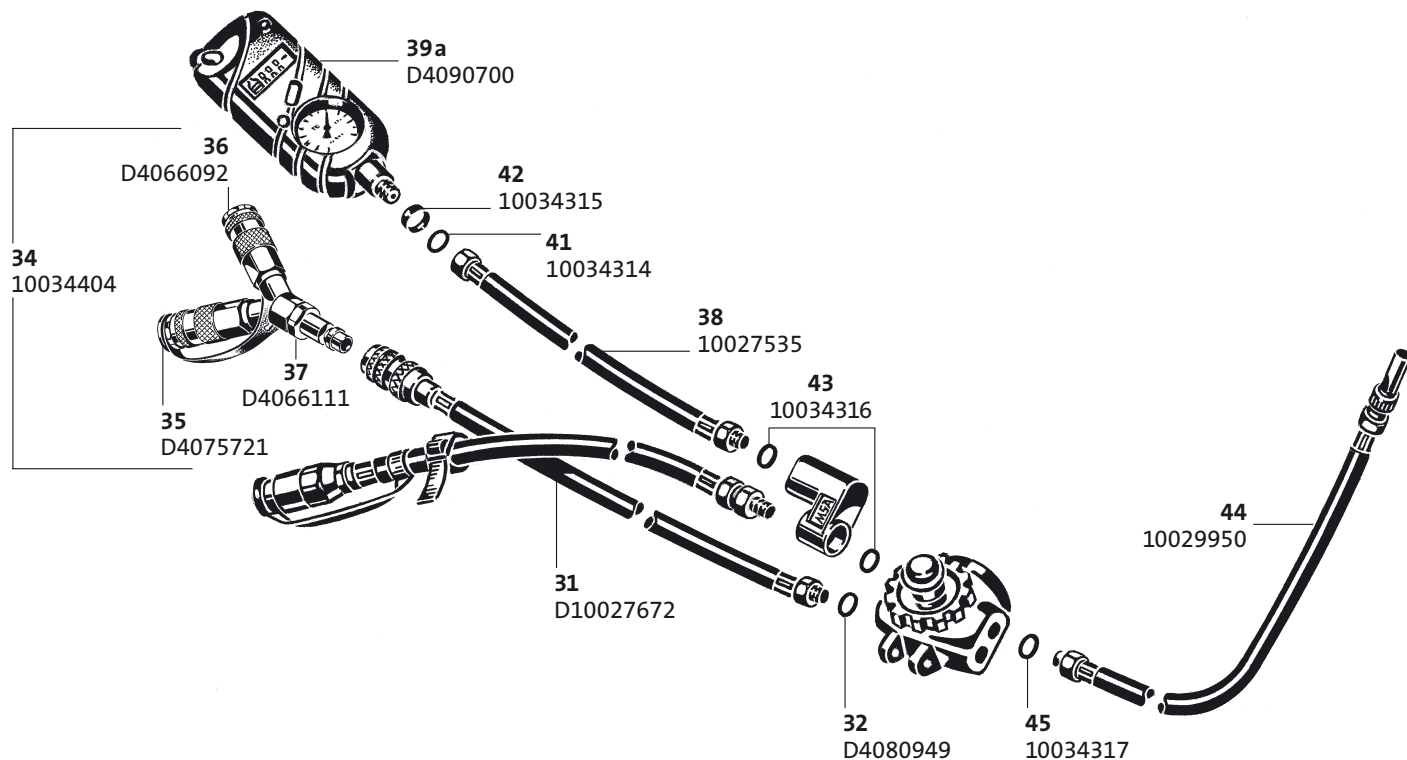
No.	Description	Part No.
<b>Pressure Reducer</b>		
29	Pressure reducer 500 E, only	D4075837
30	Pin	10026856
31	Medium pressure line (incl. no. 32 and 33)	10027672
32	O-Ring for medium pressure line (pack of 10)	D4080949
33	Coupling half	D4080110
34	Distributor (Y-piece) for 2nd man connection, compl. with plug	10034404
35	Plug, assy for Y-piece	D4075721
36	Coupling, female G 1/4A, for Y-piece	D4066092
37	Nipple, G 1/4 a, for Y-piece	D4066111
38	Pressure gauge line	10027535
39	Pressure gauge 300 barr	D4075858
39a	ICU	D4090700
39b	ICU-S (not shown)	10016231
40	Protective cap for pressure gauge	D4074315
41	Washer 8 x 4 x 0,5 for pressure gauge line/(pack of 10)	10034314
42	Support ring for pressure gauge/(pack of 10)	10034315
43	O-Ring 2,9 x 1,78 for gauge/(pack of 10)	10034316
44	Signal line 610 mm	10029950
45	O-Ring for signal line/(pack of 10)	10034317
46	Protective cap for pressure reducer	D4060199
<b>Quick-Fill</b>		
47	Coupling protector	D4075962
48	Quick-Fill coupling	D4075961
49	Coupling connector	D4075005
50	Quick-Fill line	10032214
51	O-Ring 8,92 x 1,83	D0011687
52	Bolt	D4075164
53	O-Ring 6,86 x 1,78	D0013706
54	T-piece Quick-Fill	10027536
55	Washer 8 x 4 x 0,5 for pressure gauge line/(pack of 10)	10034316
56	Dosing screw	D4075067
57	Line holder	D4075833
59	High pressure socket 300 (not shown)	D4075003
60	Handwheel 300 (not shown)	D4075801
61	Threaded nipple 300 (not shown)	D4075061
<b>Accessories (not shown)</b>		
62	Filling adapter Q, Quick-Fill	D4075971
63	Filling line Q, 1 m, Quick-Fill	D4075929
64	T-piece 115/200 (for 2 x 4 l/200 bar steel cylinders)	D4085817
65	T-piece 156/300 (for 2 x 6,8 l or 6 l/300 bar composite cylinders)	D4075818
<b>Miscellaneous</b>		
66	Line clamp (11–13 mm)	D0012900
67	Line clamp (13–15 mm)	D0002940
68	HazMat transport label for compressed air cylinders, self-adhesive	D4074338
<b>Reconditioned Parts</b>		
69	Reconditioned pressure reducer 500 E*) for AirMaXX and AirMaXX-Z (without medium pressure line and pressure gauge line with warning signal)	D4075854
70	Reconditioned pressure reducer 500 E-S*) for AirMaXX-S and AirMaXX-S-Z without medium pressure line, pressure gauge line and warning signal line, with warning signal partially	D4075855

\*) Send in pressure reducer to be exchanged against reconditioned pressure reducer without lines

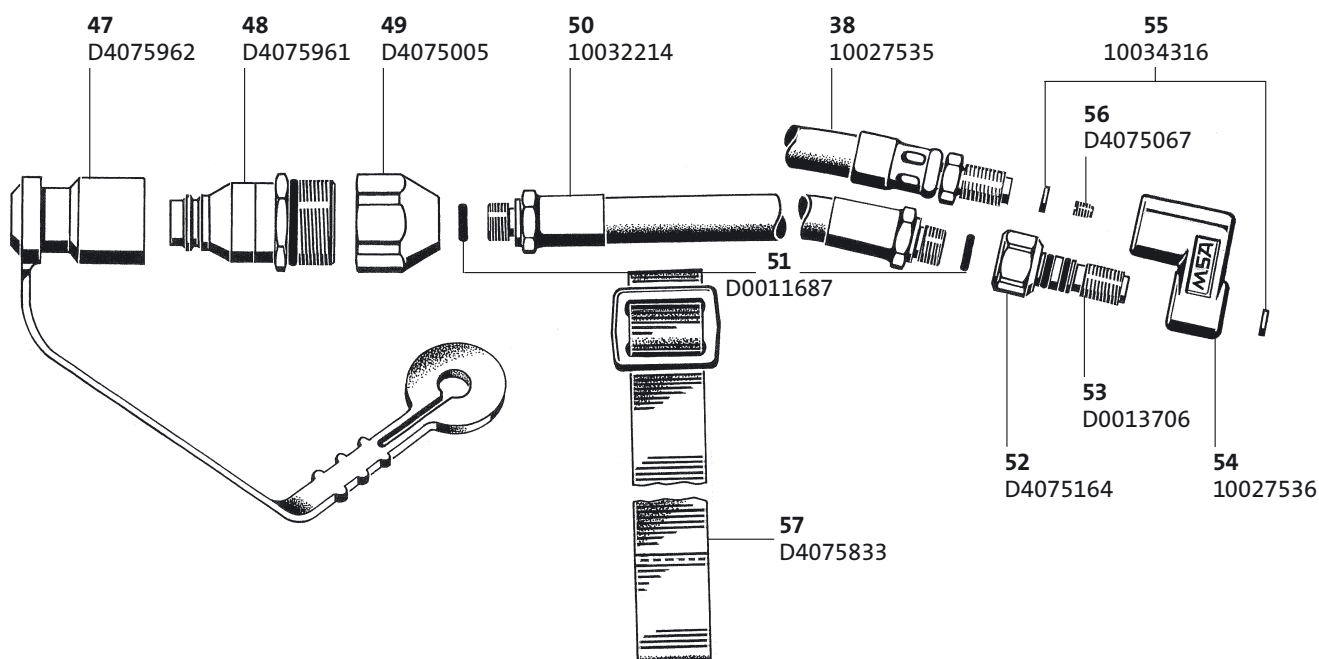
# Components/Spare Parts AirMaXX Basic Unit and AirMaXX eXXtreme



## Components/Spare Parts Add-On Moduls AirMaXX and AirMaXX eXXtreme



## Components/Spare Parts Quick-Fill Connection AirMaXX and AirMaXX eXXtreme



### MSA Europe Regional Head Offices [www.msa-europe.com]

**Northern Europe**  
**MSA Nederland B.V.**  
 Kernweg 20, NL-1627 LH Hoorn  
 Phone: +31 [229] 25 03 03  
 Fax: +31 [229] 21 13 40  
 E-Mail: info@msaned.nl

**Southern Europe**  
**MSA Italiana S.p.A.**  
 Via Po 13/17 - I-20089 Rozzano [MI]  
 Phone: +39 [02] 89 217-1  
 Fax: +39 [02] 8 25 92 28  
 E-Mail: info@msaitaliana.it

**Central Europe**  
**MSA AUER GmbH**  
 Thiemannstrasse 1, D-12059 Berlin  
 Phone: +49 [30] 68 86-555  
 Fax: +49 [30] 68 86-15 17  
 E-Mail: info@auer.de

**Eastern Europe**  
**MSA AUER GmbH**  
 Thiemannstrasse 1, D-12059 Berlin  
 Phone: +49 [30] 68 86-25 99  
 Fax: +49 [30] 68 86-15 17  
 E-Mail: mee@auer.de

Subject to change without notice.  
 ID 01-110.4 ITL/2./10/08.03/S

